

ESL140 Lighting Coil Fitting Instructions

APPLICATIONS

Yamaha YZ250 91-95, WR250 90-95 and other models

Read these instructions completely

Step 1

Take the ignition cover off. **Are The Replacement Parts Similar?** Compare the replacement part to the original. The replacement part should match, including the mounting hole locations. If not: Double check the application listing with your bike.

Step 2

Remove the flywheel from the crankshaft. Remove the stator baseplate from the engine.

Step 3

Check where the new lighting coil can be mounted on the baseplate.

Step 4

Sometimes you will need to drill the holes and tap tread for the new mounting screws to fit the lighting coil. See if you need to do that, and use a tap if needed. NOTE: If there already are threaded holes for the lighting coil screws, it is a good idea to just use a tap to clean out the threads.

Step 5

Use locking compound on the new screws, and tighten the screws very good.

Step 6

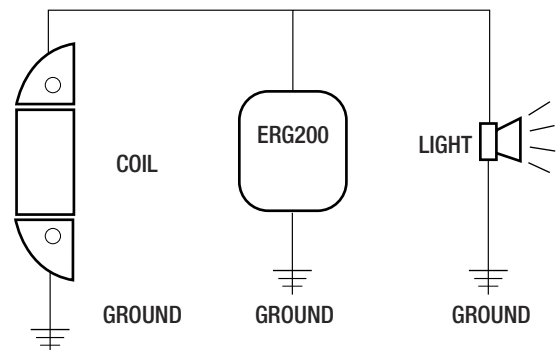
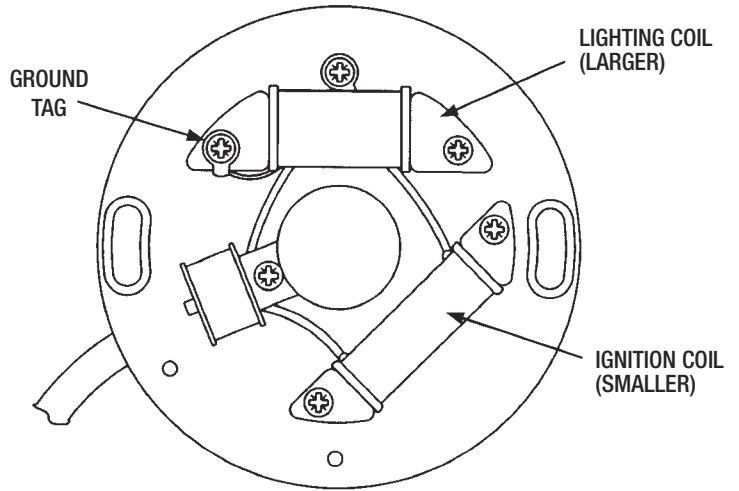
Make sure the single output wire emerging from the lighting coil CANNOT TOUCH THE FLYWHEEL! Use small tie-raps to prevent the wire from touching the rotor.

Step 7

Connect the output wire to the lighting system on the bike. Make sure the connections you make are good ones.

Step 8

For more information on different wiring setups possible, please take a look at our universal fitting instructions for lighting coils.



Simple AC Regulator Installation

Troubleshooting

Engine will not start: Sometimes the source coil wires are reversed. Swap the connections, resolder the wires and the engine should start. If the engine still does not start, and *before calling technical support at ElectroSport*, preform a few basic tests: 1) Re-check the connections. Make sure you carefully solder the connections. Twisting wires together or taping wires will cause engine inoperability. 2) Check the engine for spark and 3) Is fresh fuel in the gas tank? If you still cannot get the engine to start, have all your testing information ready for a technician prior to calling.